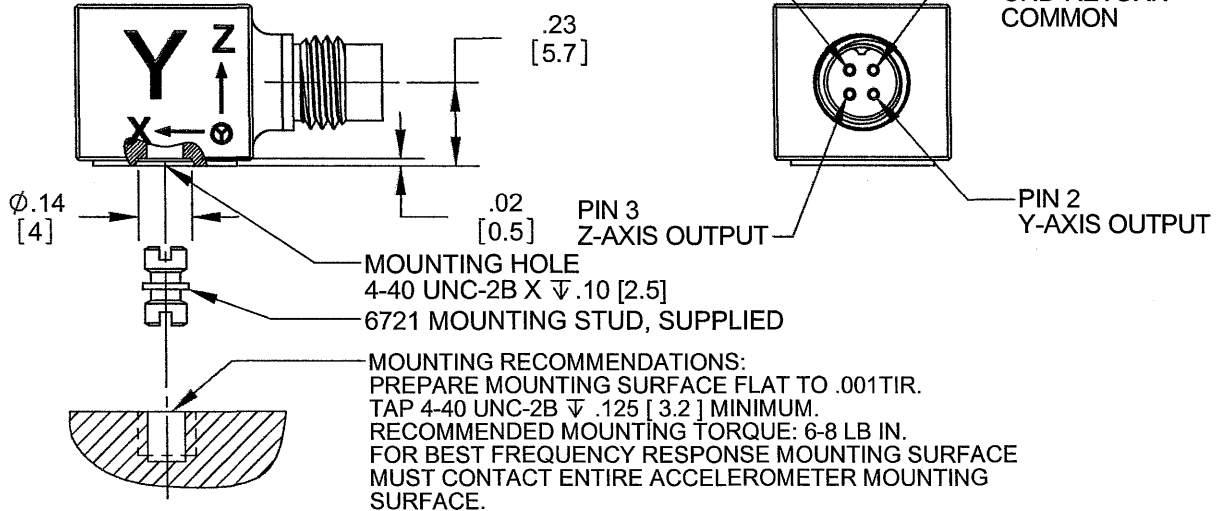
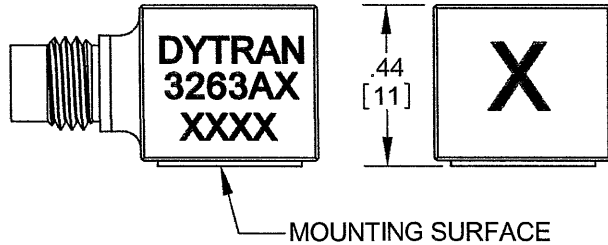
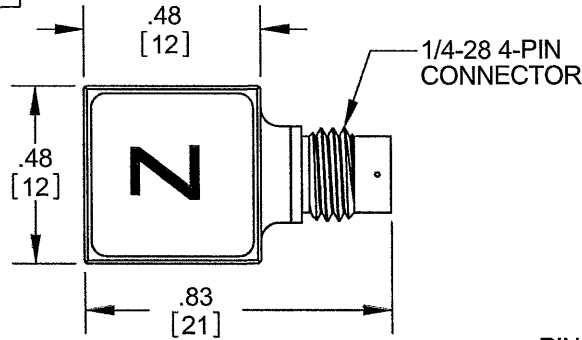


PROPRIETARY AND CONFIDENTIAL

THE INFORMATION CONTAINED IN THIS DRAWING IS THE SOLE PROPERTY OF DYTRAN INSTRUMENTS INC. ANY REPRODUCTION IN PART OR AS A WHOLE WITHOUT THE WRITTEN PERMISSION OF DYTRAN INSTRUMENTS INC. IS PROHIBITED

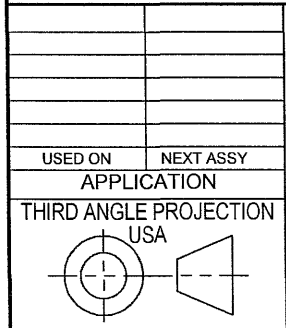
REVISIONS				
REV.	ECN	DESCRIPTION	BY/DATE	CHK/ APPR
B	8131	ADDED: 3263A2 & A3, NOTE 3 IS: ...MAX WAS:... NOMINAL	JS 12/14/11	<i>JS</i> <i>ANS</i>

MODEL	SENSITIVITY
3263A1	10 mV/g
3263A2	100 mV/g
3263A3	50 mV/g



4. MATES WITH DYTRAN MODEL 6811AXX (XX = LENGTH IN FEET)
 3. WEIGHT: 5.6 GRAMS MAX
 2. ARROWS INDICATE ACCELERATION DIRECTION FOR POSITIVE OUTPUT.
 1. HOUSING MATERIAL: TITANIUM ALLOY
- NOTES: UNLESS OTHERWISE SPECIFIED.

MOUNTING RECOMMENDATIONS:
 PREPARE MOUNTING SURFACE FLAT TO .001TIR.
 TAP 4-40 UNC-2B ∇ .125 [3.2] MINIMUM.
 RECOMMENDED MOUNTING TORQUE: 6-8 LB IN.
 FOR BEST FREQUENCY RESPONSE MOUNTING SURFACE MUST CONTACT ENTIRE ACCELEROMETER MOUNTING SURFACE.



UNLESS OTHERWISE SPECIFIED:
 INTERPRET DIM & TOL PER ASME Y14.5M - 1994.
 REMOVE BURRS.
 COUNTERSINK INTERNAL THDS 90° TO MAJOR DIA.
 CHAM EXT THDS 45° TO MINOR DIA.
 THD LENGTHS AND DEPTHS ARE FOR MIN FULL THDS.
 THDS PER MIL-S-7742.
 DIMENSIONS APPLY AFTER FINISHING.
 ALL MACHINED SURFACES. TOTAL RUNOUT WITHIN .005.
 BREAK SHARP EDGES .005 TO .010.
 MACHINED FILLET RADII .005 TO .015.
 WELDING SYMBOLS PER AWS A2.4.
 ABBREVIATIONS PER MIL-STD-12.

UNLESS OTHERWISE SPECIFIED:
 DIMENSIONS ARE IN INCHES. DIMENSIONS IN BRACKETS [] ARE IN MILLIMETERS
 TOLERANCES ARE:
 INCHES METRIC ANGLES
 .XX ± .03 .X ± 0.8 ± 1°
 .XXX ± .010 .XX ± 0.25

MATERIAL

FINISH

DO NOT SCALE DRAWING

CONTRACT NO.

APPROVALS		DATE
ORIG	RA	9/9/06
CHK	JS	09/09/11
APP	DV	09/27/11
APP		

DYTRAN INSTRUMENTS, INC. Chatsworth, CA

MASTER ONLY IF IN RED

TITLE:
**OUTLINE/INSTALLATION DRAWING,
 MODEL 3263A SERIES
 ACCELEROMETER**

SIZE	CAGE CODE	DWG. NO.	REV
A	2W033	127-3263A3	B

SCALE: NONE SOLIDWORKS SHEET 1 OF 1

MODEL NUMBER
3263A1

PERFORMANCE SPECIFICATION

DOC NO.
PS3263A1

TRIAxIAL ACCELEROMETER, IEPE

REV F, ECN 11582, 12/14/14



ACTUAL SIZE

- **TRIAxIAL ACCELEROMETER**
- **HIGH SENSITIVITY**
- **MINATURE SIZE**

This family also includes:

Model	Sensitivity (mV/g)	Range (Gpeak)	Resolution (Grms)	Oper. Temp(*F)	TC
3263A2	100	50	0.0006	-60 to +180	1.0 to 2.0
3263A3	50	100	0.0008	-60 to +180	1.0 to 2.0

Please, refer to the performance specifications of the products in this family for detailed description.

SUPPLIED ACCESSORIES

a) Model 6721 mounted stud 4-40 to 4-40.

Notes:

[1] Connector mates with Dytran cable assembly Model 6811AXX (XX= length in feet)

[2] Measured at 100 Hz, 1 grms per ISA RP 37.2.

[3] Measured using zero-based best straight-line method, % of F.S. or any lesser range.

[4] Do not apply power to this device without current limiting, 20 mA MAX.

To do so will destroy the integral IC amplifier.

[5] In the interest of constant product improvement, we reserve the right to change specifications without notice.

PHYSICAL

Weight, Max.

Mounting, Integral Thread

Connector [1]

Material Body

Sensing Element

	ENGLISH		SI	
Type	0.2	oz	5.6	grams
Material	4-40 UNC-2B		4-40 UNC-2B	
Mode	4 PIN		4 PIN	
	Titanium		Titanium	
	Ceramic		Ceramic	
	Shear		Shear	

PERFORMANCE

Sensitivity +/- 10% [2]

Range F.S. For ± 5 Volts Output

Frequency Response, - 10% to + 15%

Resonant Frequency

Phase Response, ± 5°

Linearity, Max [3]

Transverse Sensitivity, Max.

Equivalent Electrical Noise Floor

Spectral Noise

	ENGLISH		SI	
	10	mV/g	1.02	mV/ m/s ²
	± 500	g	± 4900	m/s ²
	0.3 to 10000	Hz	0.3 to 10000	Hz
	>40	KHz	>40	KHz
	2 to 3000	Hz	2 to 3000	Hz
	± 1%	%F.S	± 1%	%F.S
	6%		6%	
	0.008	g rms	0.08	m/s ² rms
1Hz	100	µGrms/√(Hz)	981	µm/s ² rms/√(Hz)
10Hz	50	µGrms/√(Hz)	491	µm/s ² rms/√(Hz)
100Hz	10	µGrms/√(Hz)	98	µm/s ² rms/√(Hz)
1000Hz	10	µGrms/√(Hz)	98	µm/s ² rms/√(Hz)
10000Hz	5	µGrms/√(Hz)	49	µm/s ² rms/√(Hz)

ENVIRONMENTAL

Maximum Vibration

Maximum Shock

Temperature Range

Seal

	ENGLISH		SI	
	600	±gpk	5886	± m/s ² pk
	5000	±gpk	49050	± m/s ² pk
	-60 to +250	°F	-51 to 121	°C
	Hermetic		Hermetic	

ELECTRICAL

Supply Current [4]

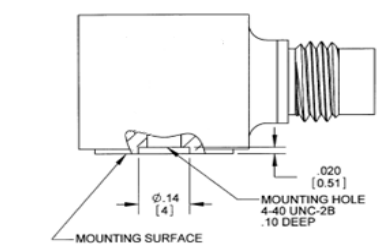
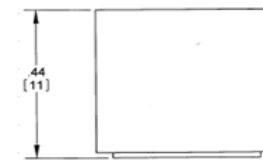
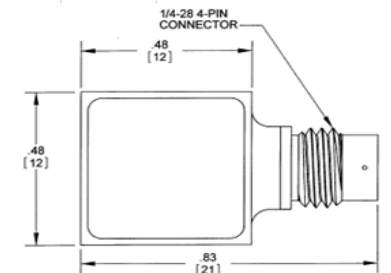
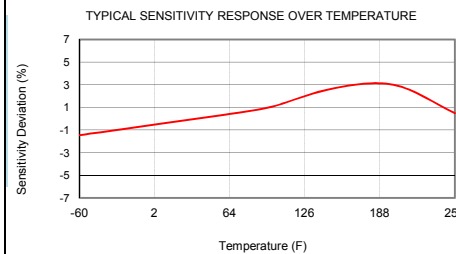
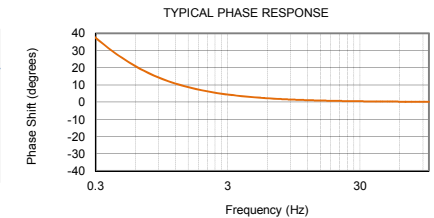
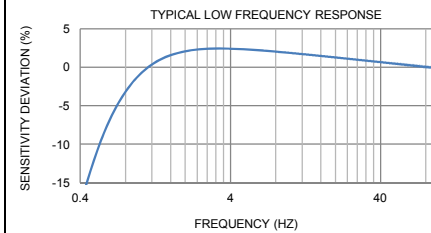
Compliance Voltage Range

Output Impedance TYP

Bias Voltage

Discharge Time Constant

	ENGLISH		SI	
	2 to 20	mA	2 to 20	mA
	+18 to +30	V	+18 to +30	V
	100	Ω	100	Ω
	+11 to +13	VDC	+11 to +13	VDC
	1.0 to 2.0	sec	1.0 to 2.0	sec



Units on the line drawing are in inches, units in brackets are in millimeters. Refer to 127-3263A3 for more information.

