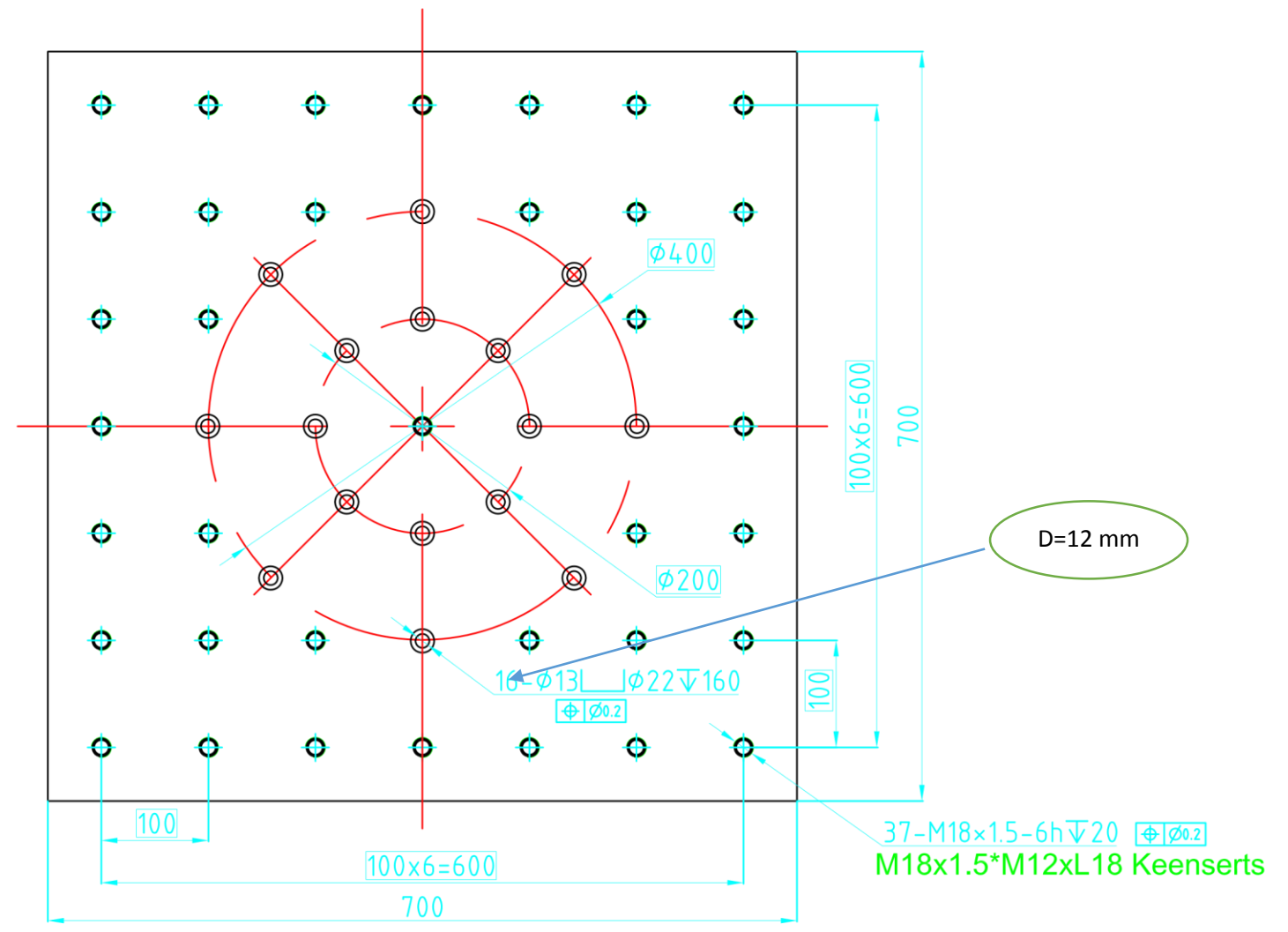
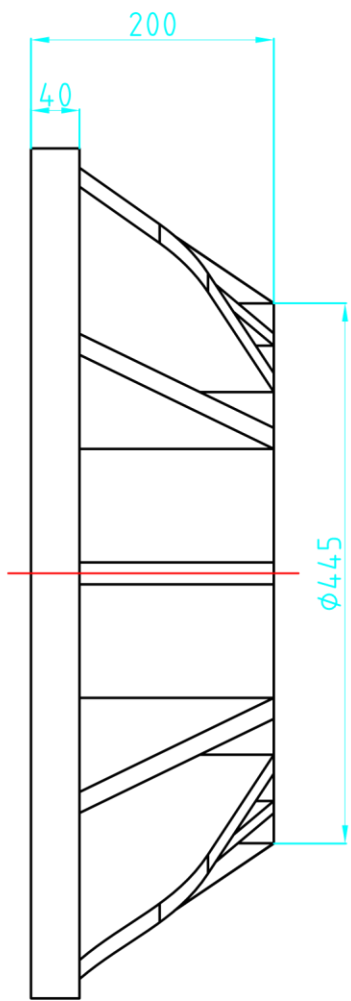
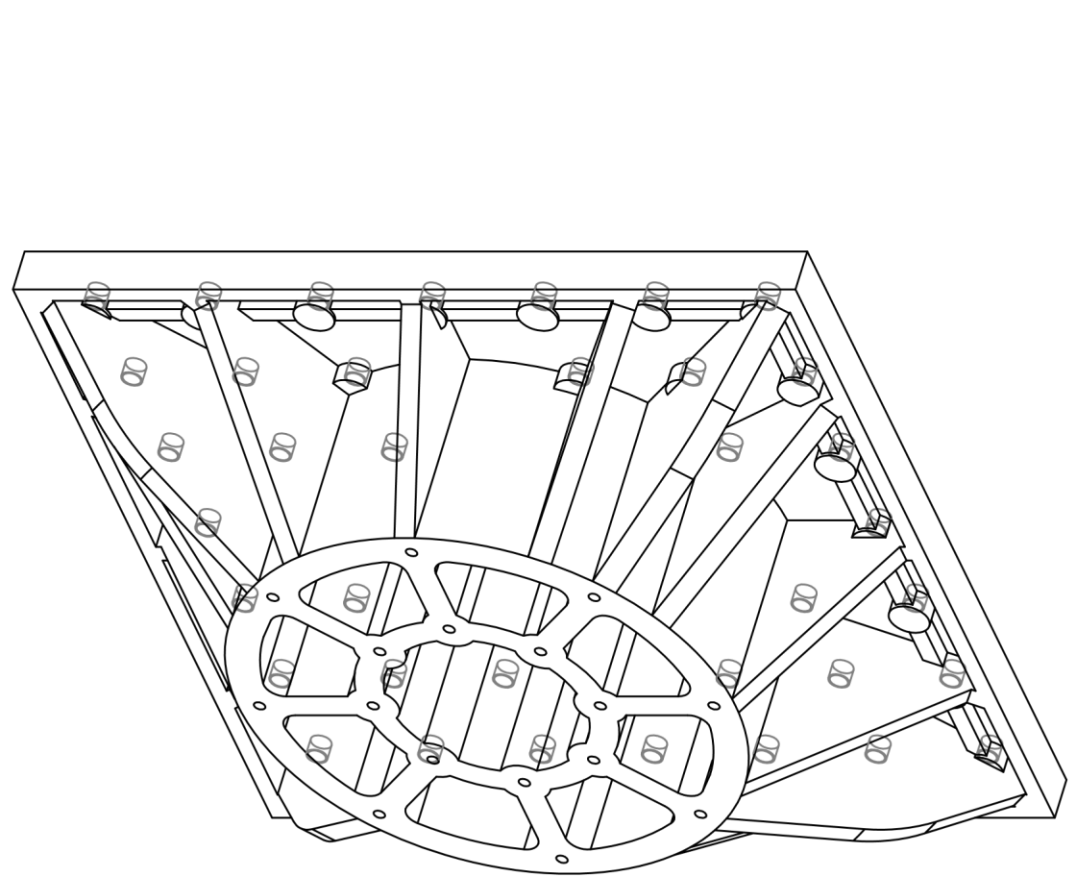


[Grab your reader's attention with a great quote from the document or use this space to emphasize a key point. To place this text box anywhere on the page, just drag it.]

1	2	3	4	5	6	7	8		
PO Number	842				RevNo	Revision note	Date	Signature	Checked



Material	Mg
Height	200mm
Weight	60 kg est.
Resonance Freq.	1500 Hz est.

NOTES:
 1) THIS DRAWING IS THE PROPERTY OF ETS SOLUTIONS AND MUST NOT BE LENT OR COPIED WITHOUT OUR EXPRESS PERMISSION IN WRITING.
 2) WITH CONSTANT PRODUCT IMPROVEMENT PRODUCT SPECIFICATIONS MAY BE CHANGED

Designed by WWY	Checked by ZJL	Approved by TNK	Date 20th Sep. 2011	Scale NA
		Title: ETS-M544A/HE700SOM Outline		